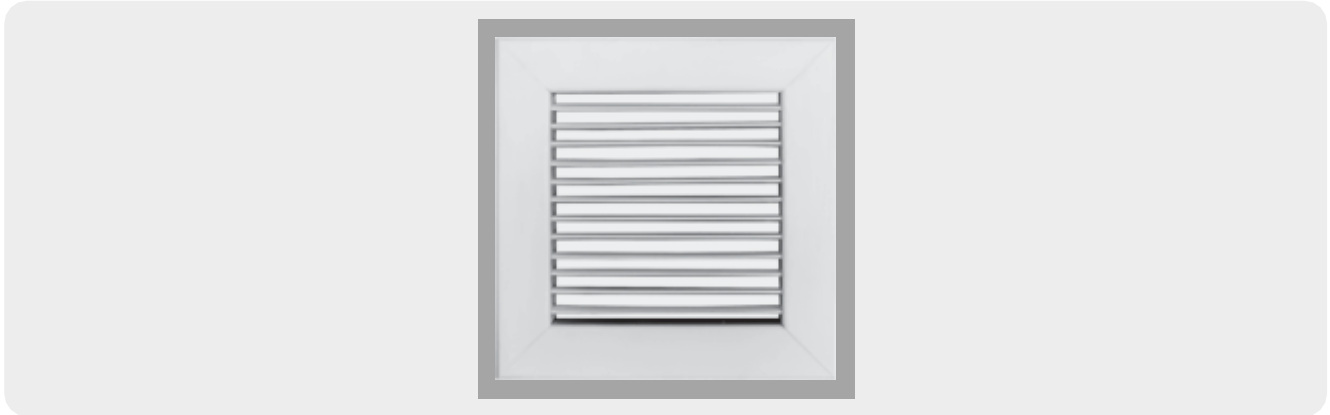


PVC slotted grille 140x140 white

140x140 white pvc grating



CARATTERISTICHE

Louvered supply or return grille, with fixed fins having 10mm spacing.

Material of construction: anti-condensation **PVC**

Color: White RAL 9010

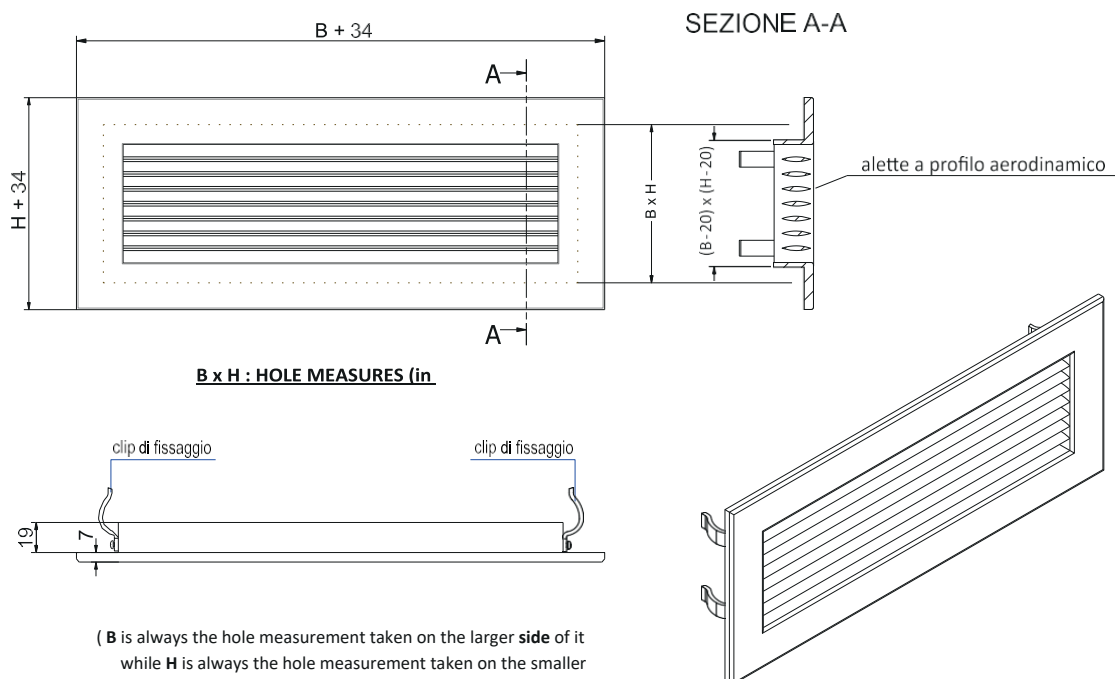
Flap pitch: 10mm

Extinguishing grade: class V0 Operating temperature: -30°C/+60° Fixing methods: Clips, screws, magnets

ACCESSORIES

- Sheet metal counterframe zn. mod. C/01
- Zn sheet metal adapter.

DIMENSIONAL



QUICK SELECTION TABLE

Code	Hole size BxH	Effective area [m ²]	Flow rate (m ³ /h) with v = 1 m/s	Flow rate (m ³ /h) with v = 2 m/s	Flow rate (m ³ /h) with v = 2.5 m/s	Flow rate (m ³ /h) with v = 3 m/s	Flow rate (m ³ /h) with v = 4 m/s
	[mm]		Pressure drop: 1 Pa	Pressure drop: 2÷3 Pa	Pressure drop: 3÷4 Pa	Pressure drop: 5÷6 Pa	Pressure drop: 8 Pa
VMGF01140X140B	140x140	0.0099	36	72	90	/	/
VMGF01200X100B	200x100	0.0096	35	70	87	/	/
VMGF01300X100B	300x100	0.0149	52	104	130	156	/
VMGF01400X100B	400x100	0.0202	70	140	175	210	280

NB : v = crossing speed at the slits

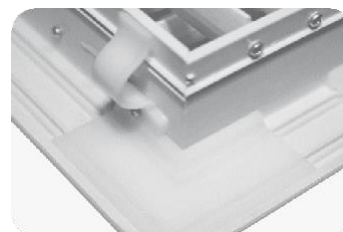
GRID ATTACHMENT SYSTEMS (AMONG THEM ALTERNATIVE): CLIPS, SCREWS, MAGNETS

each of the three systems is not included in the grid supply price but is quoted separately. In the absence of any indication to the contrary by the customer, AIRPLAST provides the standard fastening system, that is, the one with the clips that are delivered already attached to the grid.

In the case of ceiling or suspended ceiling installations, the only reliable method is with screws, and clips are discouraged. Of the three fixing systems, the one with screws, in particular, corresponds to a grid that is not provided with holes and therefore delivered aesthetically identical to a grid provided with clips or magnets.

Clips (standard, except)

The set of clips supplied with each grid is 4 in number.



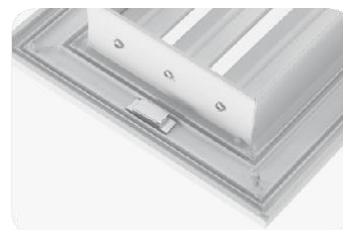
Screws (on request, separately)

The screws, made of galvanized steel, are supplied painted RAL 9010 on the heads. The grid frame is easily drilled by the customer, who can freely choose the location of the holes. A set of no. 4 screws for any size of grids, except for grids having the largest side equal to 1000mm for which the set provides No.8 screws.



Magnets (on request, separately)

The magnet attachment system is particularly suitable where there is a need for frequent maintenance. The magnets are supplied already assembled with the grid. The set of magnets supplied with each grid is in numbers dependent on the nominal size of the grid. (see Classic grids data sheet, on this subject).



GRAPHIC

Pressure losses slotted grates

